



The SAS-200-24-SS is a load rated universal wall arm system for mounting loudspeakers weighting up to 200lb/91 kg to walls & other vertical structures. This heavy duty stainless steel wall arm mount is rated for extreme outdoor environment.

Note to installers

Due to the wide variety of wall structures, materials and mounting methods, these instructions assume that the installing contractor will exercise proper judgment in selecting the mounting area and hardware.

As a guide, the installation, when complete should be capable of supporting 5 to 10 times the actual applied load. Also, always use a backup safety system such as a safety cable.

To assure a trouble free installation, read through and follow these instructions carefully before beginning. If you have doubts about the integrity of the structure you are mounting to or you are not sure about the proper hardware to use, consult a structural and/or hardware specialist.

Be sure that all of the following items are included in this kit before proceeding:

1 pc	24" wall mount Assembly	1 pc	½-13 x 3.5 Hex Cap Bolt
2 pcs	½" Flat washer	1 pc	½-13 x 4.5 Hex Cap Bolt
2 pcs	½" Split Lock Washer	1 pc	½-13 Nylock nut
1 pc	.5 IDx2 OD Neo-washer	1 pc	Endcap, 2" sq rib
1 pc	Instruction Sheet		

NOTE: Screws, bolts and washers to attach arm wall mount to structure are not included

Step 1:

Locate and mark the desired installation area. If needed mark the wall with the mounting holes of the SAS-200-24-SS using the top and bottom center holes

Step 2:

Attach the wall mount arm to the wood structure using the appropriate hardware, such as lag screws for wood structure and ½" dia. anchor bolts for concrete walls. Make sure that the wall is strong enough to carry the 5 times the load of the speaker and wall arm. Consult with your local hardware specialist for the proper hardware to use (Figure 1A and 1B)

Note: Do not directly install to drywall without proper backing plates or plywood. (Figure-1A for wood structure and Figure 1B for concrete wall structure.

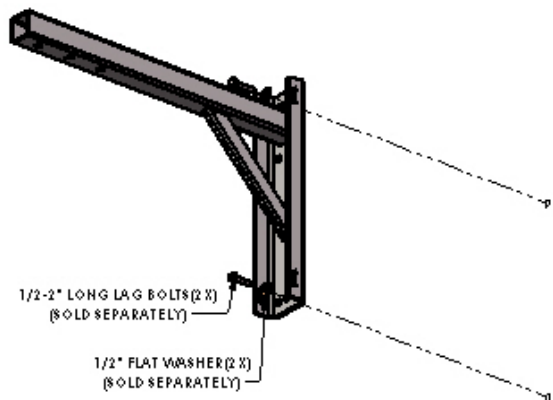


Figure 1A

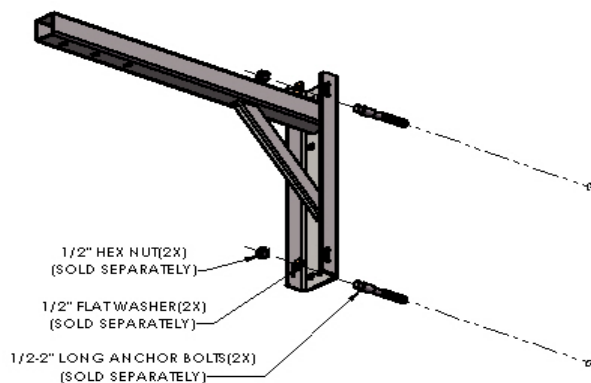


Figure-1B

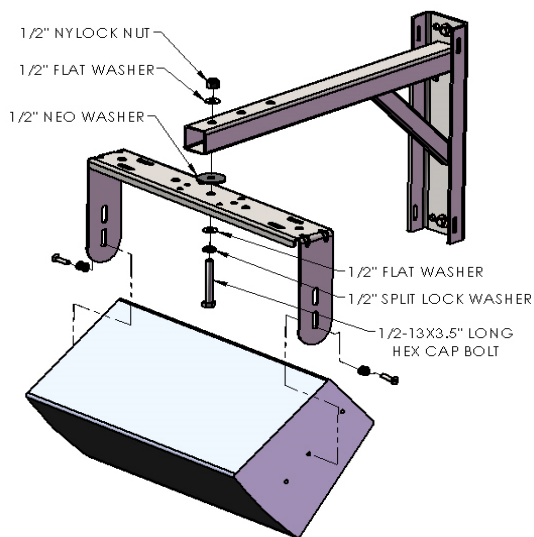


Figure-2

Step 3: Install U-bracket

Install the U-bracket or U-bracket with speaker attached to the selected hole of the wall arm mount using the provided hardware. Make sure that the neo-washer is in between the U-bracket and the wall arm tube (Figure 2).

Step 4: Install Cross-Arm

Install cross-arm to the selected hole of the wall arm mount using the provided hardware. Make sure that the neo-washer is in between the Cross arm and the wall arm tube (Figure 3).

Step 5:

Position the desire speaker direction then permanently tighten the bolts.

Step 6: Recommendation- Install Safety Cable

Install safety cable to the structure and then attach the other end of the safety cables to the speakers to bypass the mounting system. Attachment to structure must be able to support 5 times the load of the speaker and wall arm mount.

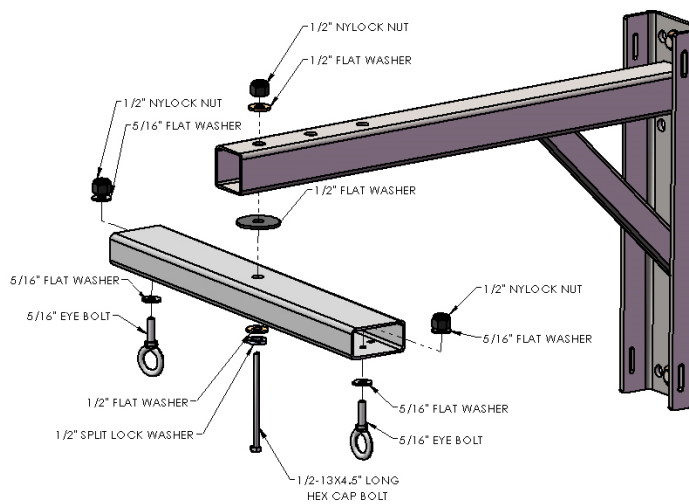


Figure-3